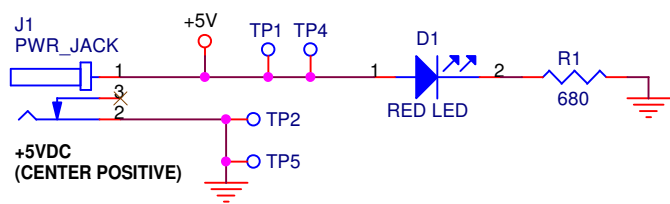
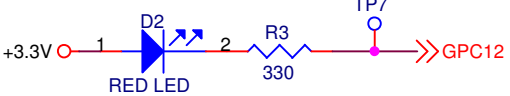
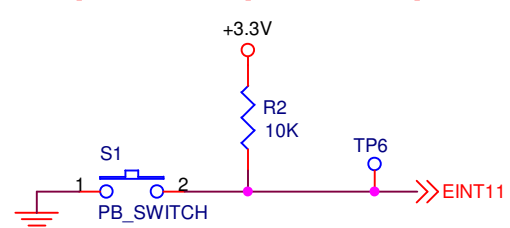
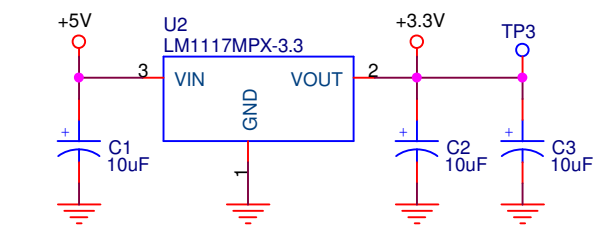


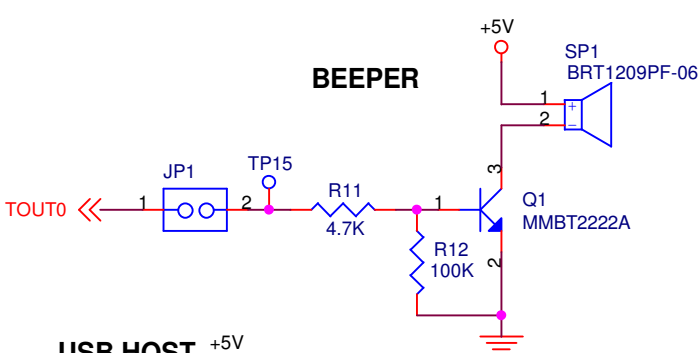
**+5VDC EXT. POWER**



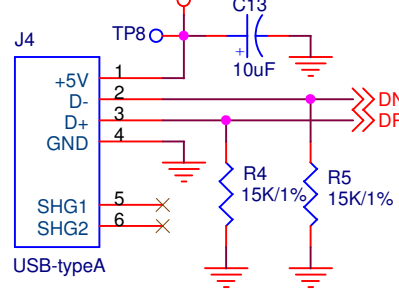
**3.3V POWER**



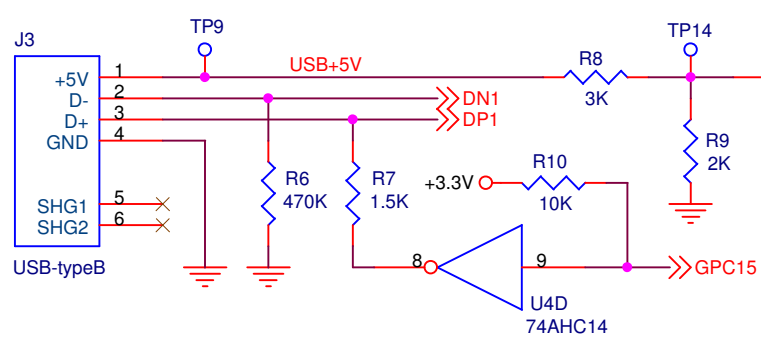
**BEEPER**



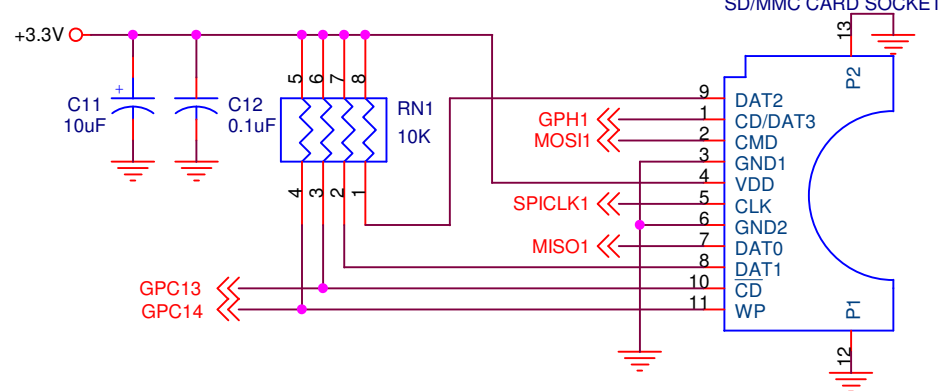
**USB HOST**



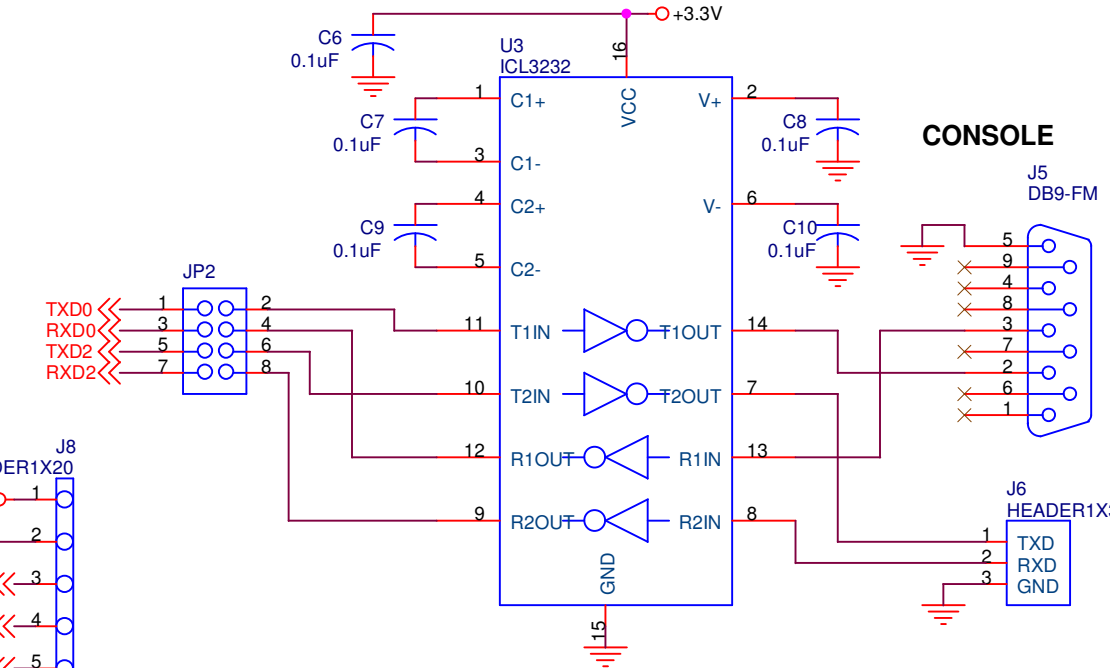
**USB DEVICE**



**SD/MMC**

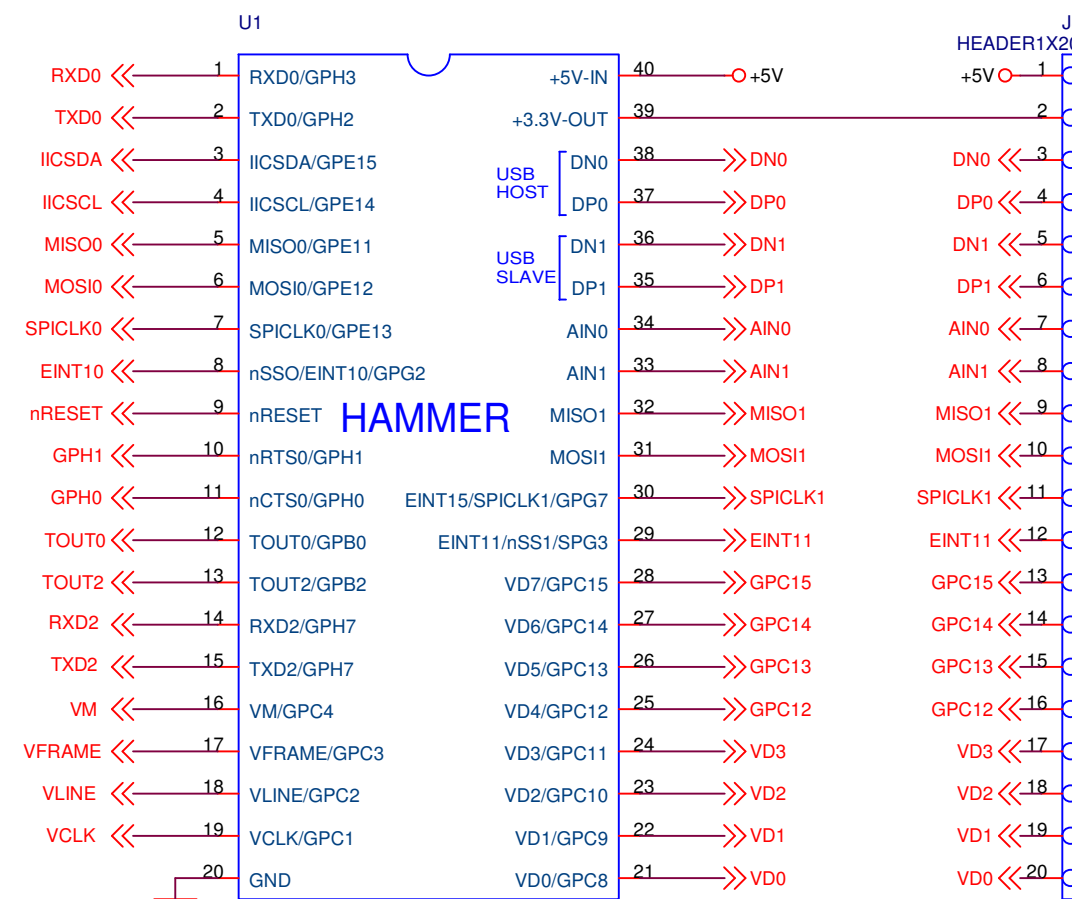
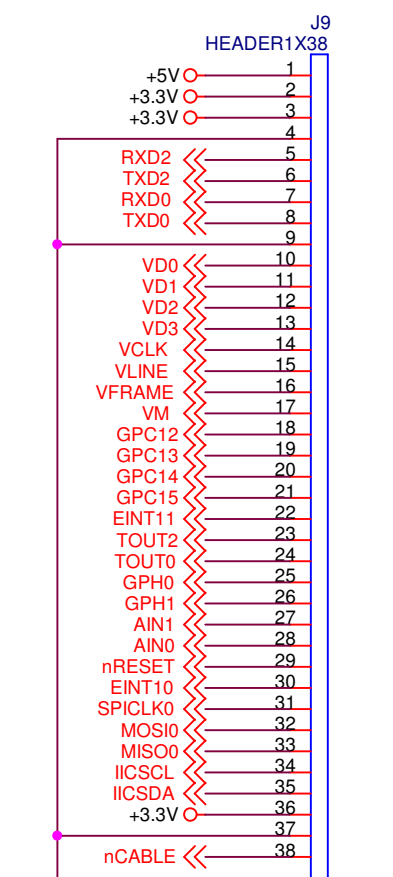


**RS232 TRANSCEIVERS**



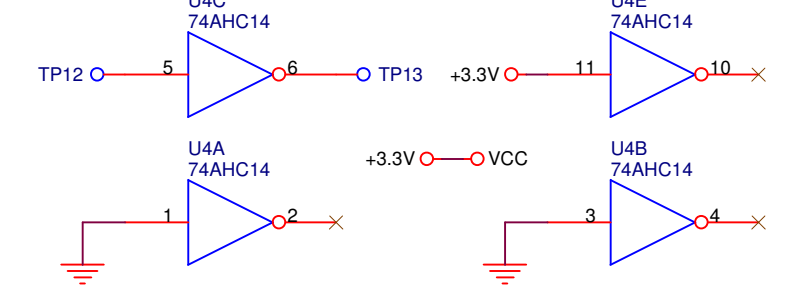
**CONSOLE**

**PROTOTYPE AREA**



**HAMMER**

**SPARES**



**www.TinCanTools.com**

Title: **HAMMER\_CARRIER**

Size B Document Number: **HAMMER\_CARRIER\_REV-C** Rev: **C**

Date: Monday, October 15, 2007 Sheet 1 of 1